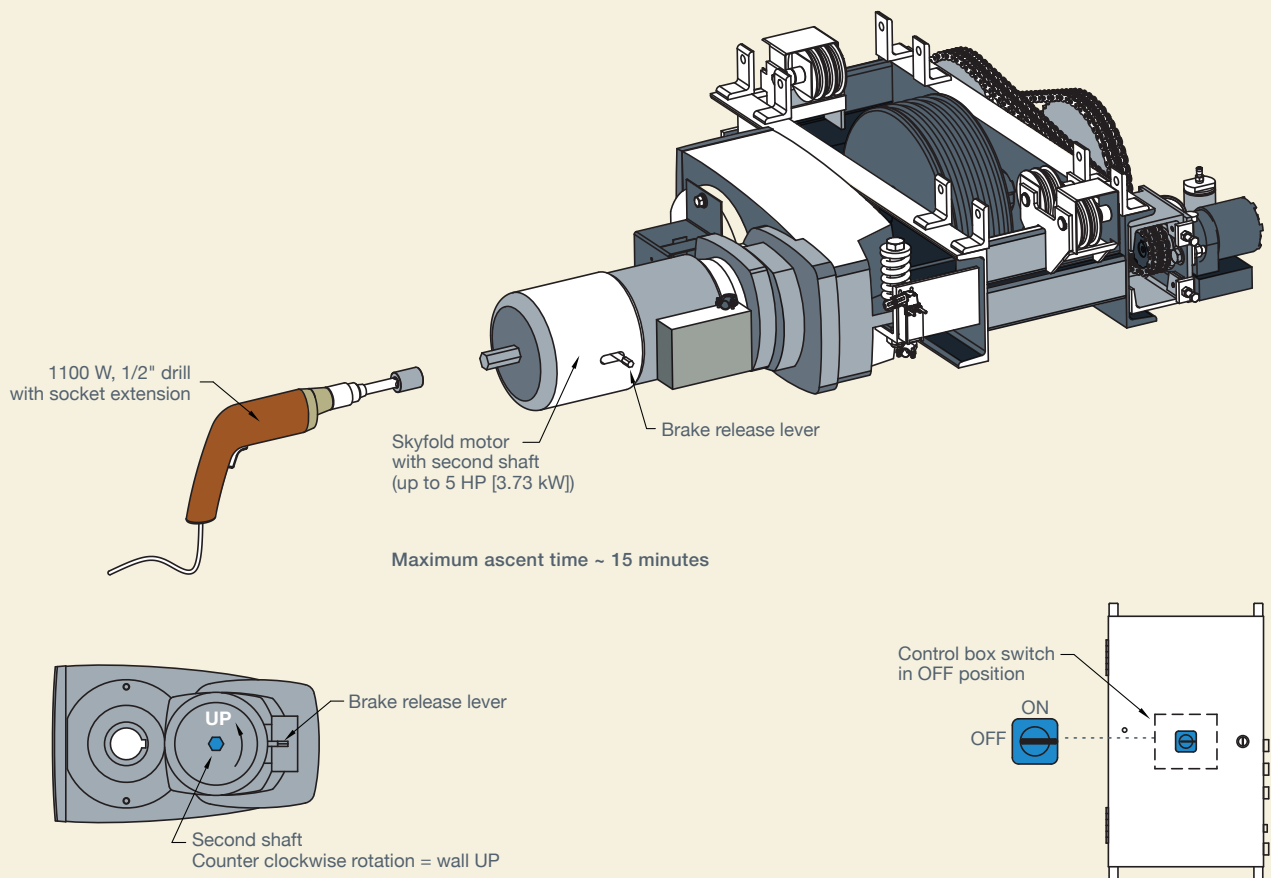


BACK-UP operating procedure



In the unlikely event that the Skyfold wall does not respond to the key switch operation, it can now be operated by using a heavy duty drill. A shaft extension has been added to the motor allowing for an alternative method of raising and lowering the wall. This feature is now standard on all of our walls. This diagram is for illustration purposes only. Please refer to the applicable operating procedures for complete instructions.

To learn about other available products, please visit us.

www.skyfold.com



Part of the Railtech Architectural Group

For more information visit our website or contact us directly:
MAIN OFFICE T 514 457-4767 F 514 457-7111 info@skyfold.com
 325 Lee Avenue, Montreal, Quebec, CANADA H9X 3S3